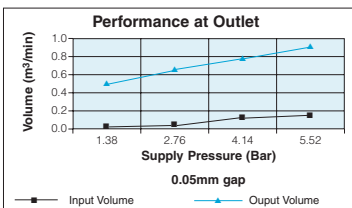
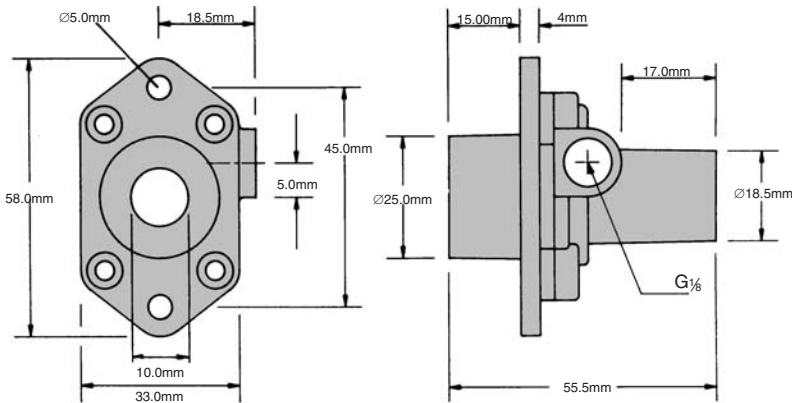


## FIXED GAP AIRMOVER AM10



Bar	Vol in m³/min	Vol out m³/min
1.38	0.048	0.490
2.76	0.065	0.660
4.14	0.125	0.733
5.52	0.164	0.886

### PERFORMANCE DATA – DUCTED

METRIC	Back Pressure (mm water gauge) and guide to equivalent pipe length												
	125mm water gauge			250mm water gauge			375mm water gauge			500mm water gauge			625mm water gauge
Supply Pressure kg/cm²	Vi m³/min	Vc m³/min	Equiv. Pipe length m	Vo m³/min	Equiv. Pipe length m	Vo m³/min	Equiv. Pipe length m	Vo m³/min	Equiv. Pipe length m	Vo m³/min	Equiv. Pipe length m	Vo m³/min	Equiv. Pipe length m
2	.060	.26	7	.13	50								
3	.070	.47	2	.31	9	20	37						
4	.115	.64	1	.51	3	36	10	.33	15	.13			
5	.150	.76	1	.65	2	54	4	.51	6	.37	14		
6	.180	.87	0.5	.78	2	72	3	.64	4	.58	6		



**Material:** Zinc and aluminium alloy.

**Weight:** 0.100Kg

**Standard Gap:** 0.05mm

**dB(A) at:** 5.5 bar is 72

**Shims:** 0.04, 0.05, 0.08mm

*Optional Extra*

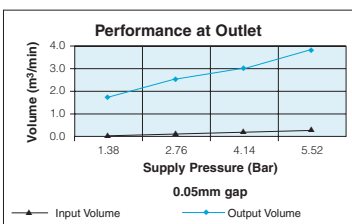
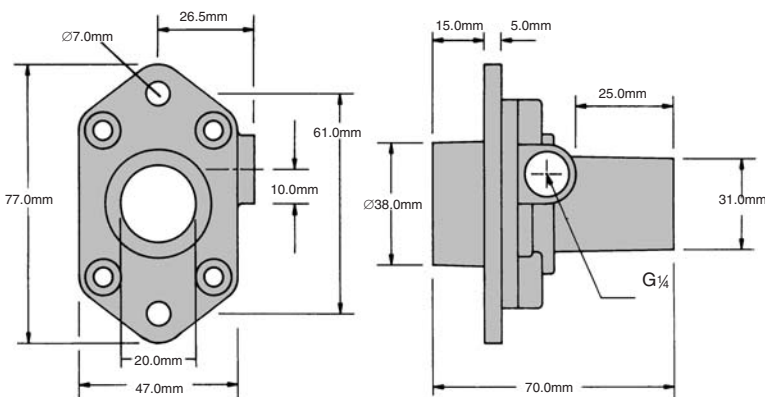
**Standard Inlet Thread:** G $\frac{1}{8}$

**Options:**  $\frac{1}{8}$ " NPT

*Please specify on order*  $\frac{1}{8}$ " NPTF

*Replacement shims*

## FIXED GAP AIRMOVER AM20



Bar	Vol in m³/min	Vol out m³/min
1.38	0.105	1.614
2.76	0.164	2.492
4.14	0.224	3.030
5.52	0.286	3.681

### PERFORMANCE DATA – DUCTED

METRIC	Back Pressure (mm water gauge) and guide to equivalent pipe length												
	50mm water gauge			100mm water gauge			150mm water gauge			200mm water gauge			250mm water gauge
Supply Pressure kg/cm²	Vi m³/min	Vc m³/min	Equiv. Pipe length m	Vo m³/min	Equiv. Pipe length m	Vo m³/min	Equiv. Pipe length m	Vo m³/min	Equiv. Pipe length m	Vo m³/min	Equiv. Pipe length m	Vo m³/min	Equiv. Pipe length m
2	.125	.91	2.0	.59	9	.42	27						
3	.170	1.42	0.8	1.03	3	.85	7	.62	18				
4	.210	1.90	0.4	1.46	2	1.25	3	1.05	6	.74	16		
5	.265	2.55	0.3	1.98	1	1.70	2	1.51	3	1.22	6		
6	.295	3.45	0.2	2.75	0.5	2.18	1	2.04	2	1.78	3		



**Material:** Zinc and aluminium alloy.

**Weight:** 0.250Kg

**Standard Gap:** 0.05mm

**dB(A) at:** 5.5 bar is 79

**Shims:** 0.04, 0.05, 0.08mm

*Optional Extra*

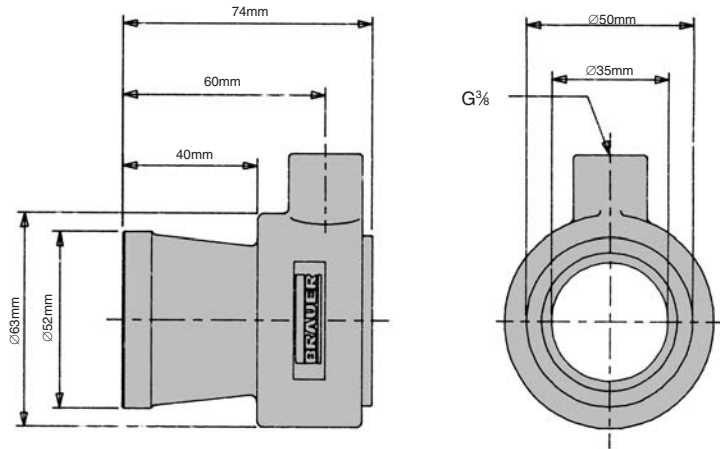
**Standard Inlet Thread:** G $\frac{1}{4}$

**Options:**  $\frac{1}{4}$ " NPT

*Please specify on order*  $\frac{1}{4}$ " NPTF

*Replacement shims*

## AM35 FIXED GAP AIRMOVER



**Material:** Zinc and aluminium alloy.

**Weight:** 0.19Kg

**Standard Gap:** 0.05mm

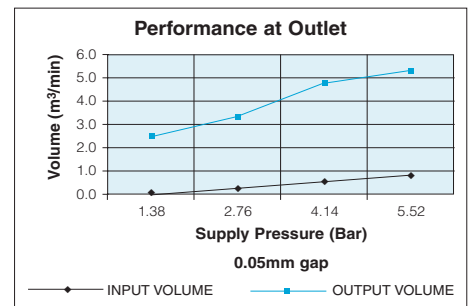
**dB(A) at:** 5.5 bar is 80

**Shims:** Not required

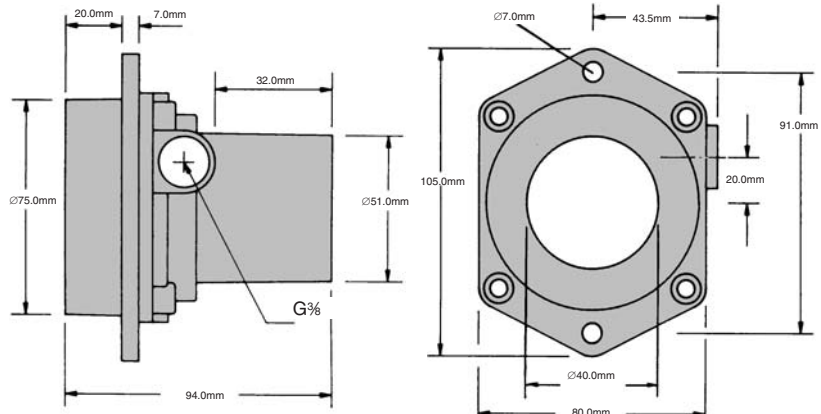
**Standard Inlet Thread:**  $G\frac{3}{8}$

**Options:**  $\frac{3}{8}$ " NPT  
Please specify on order  $\frac{3}{8}$ " NPTF

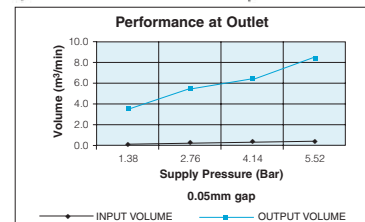
Bar	Vol in m <sup>3</sup> /min	Vol out m <sup>3</sup> /min
1.38	0.193	2.350
2.76	0.326	3.361
4.14	0.484	4.621
5.52	0.631	5.207



## AM40 FIXED GAP AIRMOVER



Bar	Vol in m <sup>3</sup> /min	Vol out m <sup>3</sup> /min
1.38	0.207	3.256
2.76	0.323	5.182
4.14	0.439	6.513
5.52	0.555	8.297



**Material:** Zinc and aluminium alloy.

**Weight:** 0.900Kg

**Standard Gap:** 0.05mm

**dB(A) at:** 5.5 bar is 80

**Shims:** 0.04, 0.05, 0.08mm

*Optional extra*

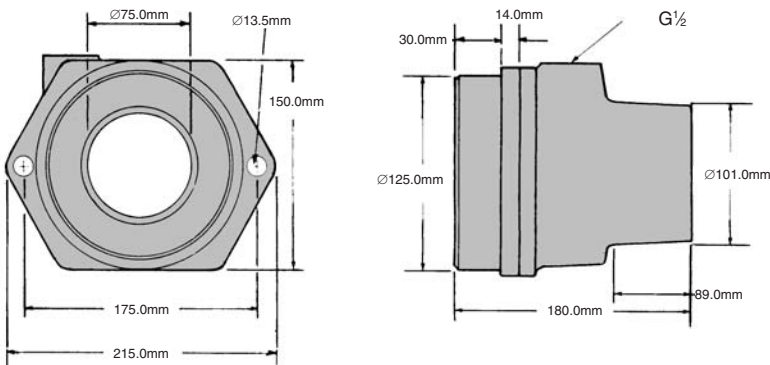
**Standard Inlet Thread:**  $G\frac{3}{8}$

**Options:**  $\frac{3}{8}$ " NPT  
Please specify on order  $\frac{3}{8}$ " NPTF  
Replacement shims

### PERFORMANCE DATA – DUCTED

METRIC		Back Pressure (mm water gauge) and guide to equivalent pipe length									
		50mm water gauge		100mm water gauge		150mm water gauge		200mm water gauge		250mm water gauge	
Supply Pressure kg/cm <sup>2</sup>	V <sub>i</sub> m <sup>3</sup> /min	V <sub>c</sub> m <sup>3</sup> /min	Equiv. Pipe length m	V <sub>o</sub> m <sup>3</sup> /min	Equiv. Pipe length m	V <sub>o</sub> m <sup>3</sup> /min	Equiv. Pipe length m	V <sub>o</sub> m <sup>3</sup> /min	Equiv. Pipe length m	V <sub>o</sub> m <sup>3</sup> /min	Equiv. Pipe length m
2	.26	1.22	10	1.00	29	1.16	34	1.00	58	1.33	43
3	.36	1.97	4	1.44	14	1.75	15	1.80	18	2.20	15
4	.42	2.88	2	2.20	6	2.49	7	2.63	9		
5	.50	4.14	1	3.08	3						
6	.58	5.41	0.6	4.25	2						

## FIXED GAP AIRMOVER AM75



**Material:** Zinc and aluminium alloy.

**Weight:** 2.7Kg

**Standard Gap:** 0.05mm

**dB(A) at:** 5.5 bar is 80

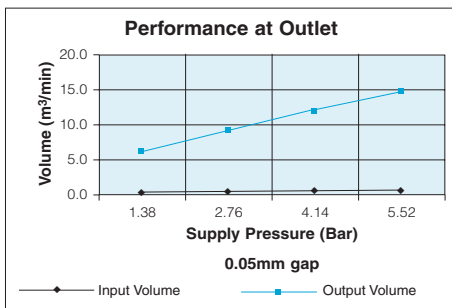
**Shims:** Not required

**Standard Inlet Thread:** G $\frac{1}{2}$

**Options:**  $\frac{1}{2}$ " NPT

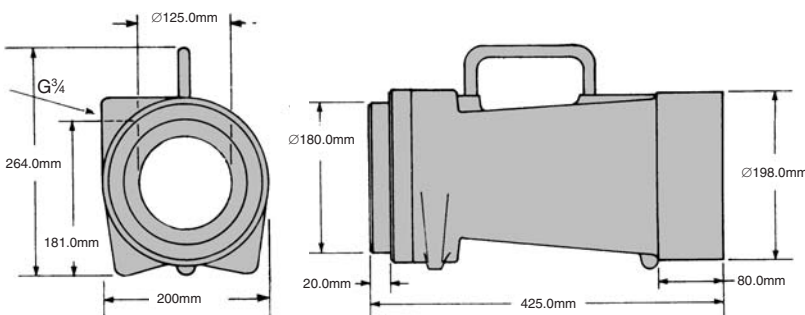
Please specify on order  $\frac{1}{2}$ " NPTF

Replacement shims



Bar	Vol in m <sup>3</sup> /min	Vol out m <sup>3</sup> /min
1.38	0.425	6.230
2.76	0.651	9.203
4.14	0.906	12.035
5.52	1.133	14.866

## FIXED GAP AIRMOVER AM125



**Material:** Zinc and aluminium alloy.

**Weight:** 7.55Kg

**Standard Gap:** 0.15mm

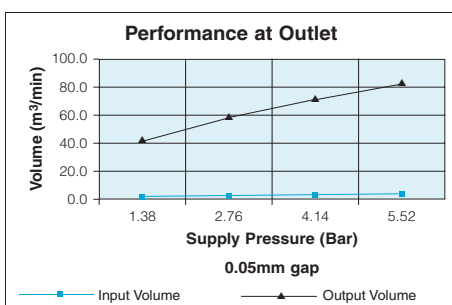
**dB(A) at:** 5.5 bar is 85

**Shims:** Not required

**Standard Inlet Thread:** G $\frac{3}{4}$

**Options:**  $\frac{3}{4}$ " NPT

Please specify on order  $\frac{3}{4}$ " NPTF



Bar	Vol in m <sup>3</sup> /min	Vol out m <sup>3</sup> /min
1.38	1.982	38.936
2.76	3.115	53.660
4.14	4.276	68.668
5.52	5.324	80.137